

PARTS LIST

L-500

SERIES

L-501M

L-501MF

L-502TMF

*SAME AS UNION SPECIAL
51300 SERIES*

Industrial Sewing Machines
Kansas Special



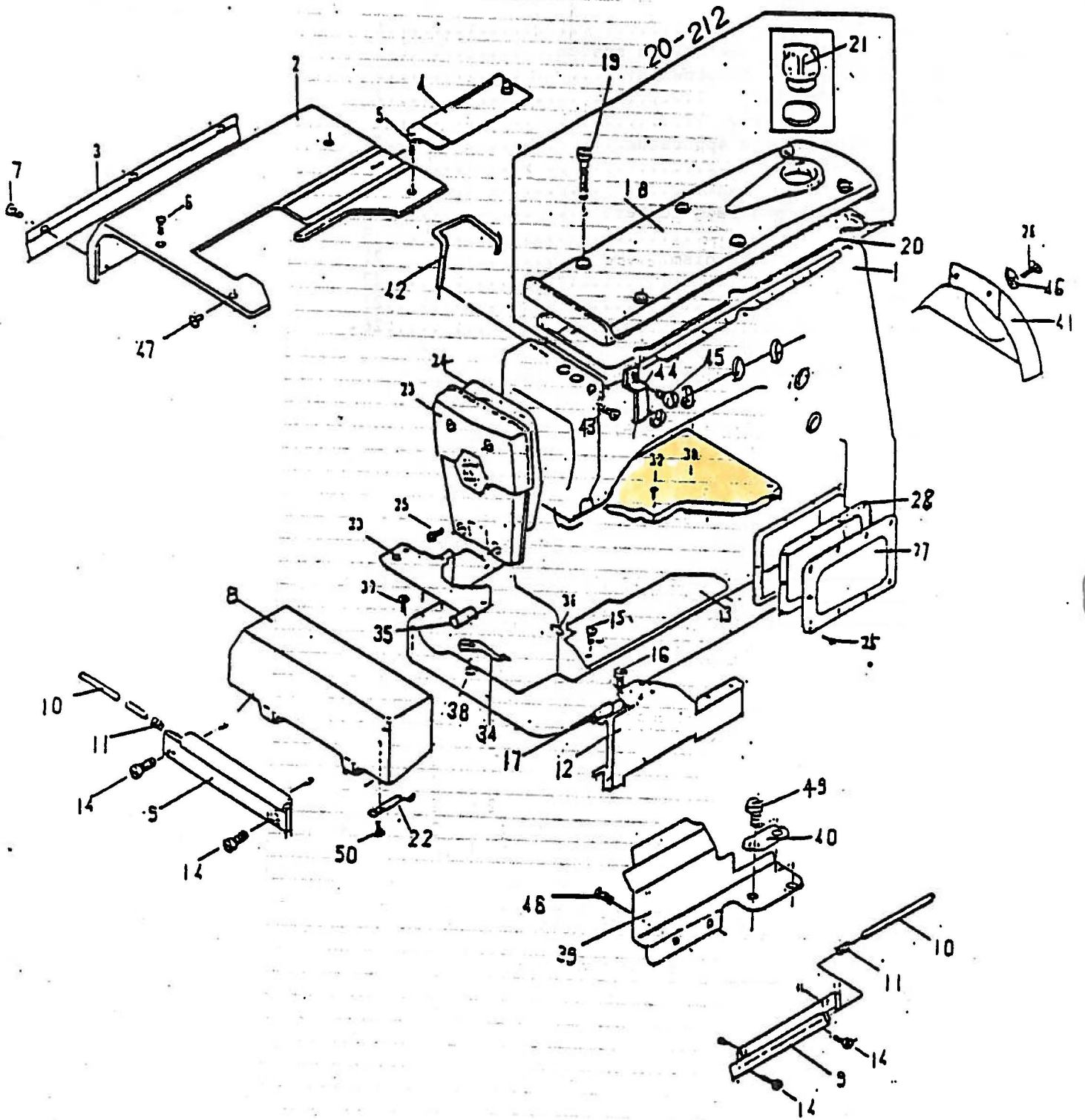
1. The first step in the process of sewing is to select the appropriate needle and thread for the fabric being sewn. The needle should be sharp and the thread should be of good quality. The second step is to set up the machine, including adjusting the tension and the stitch length. The third step is to start sewing, and the fourth step is to finish the piece.

PARALLEL

L-500
SERIES

L-501M
L-501MF

1. HAUSING COMPONENTS



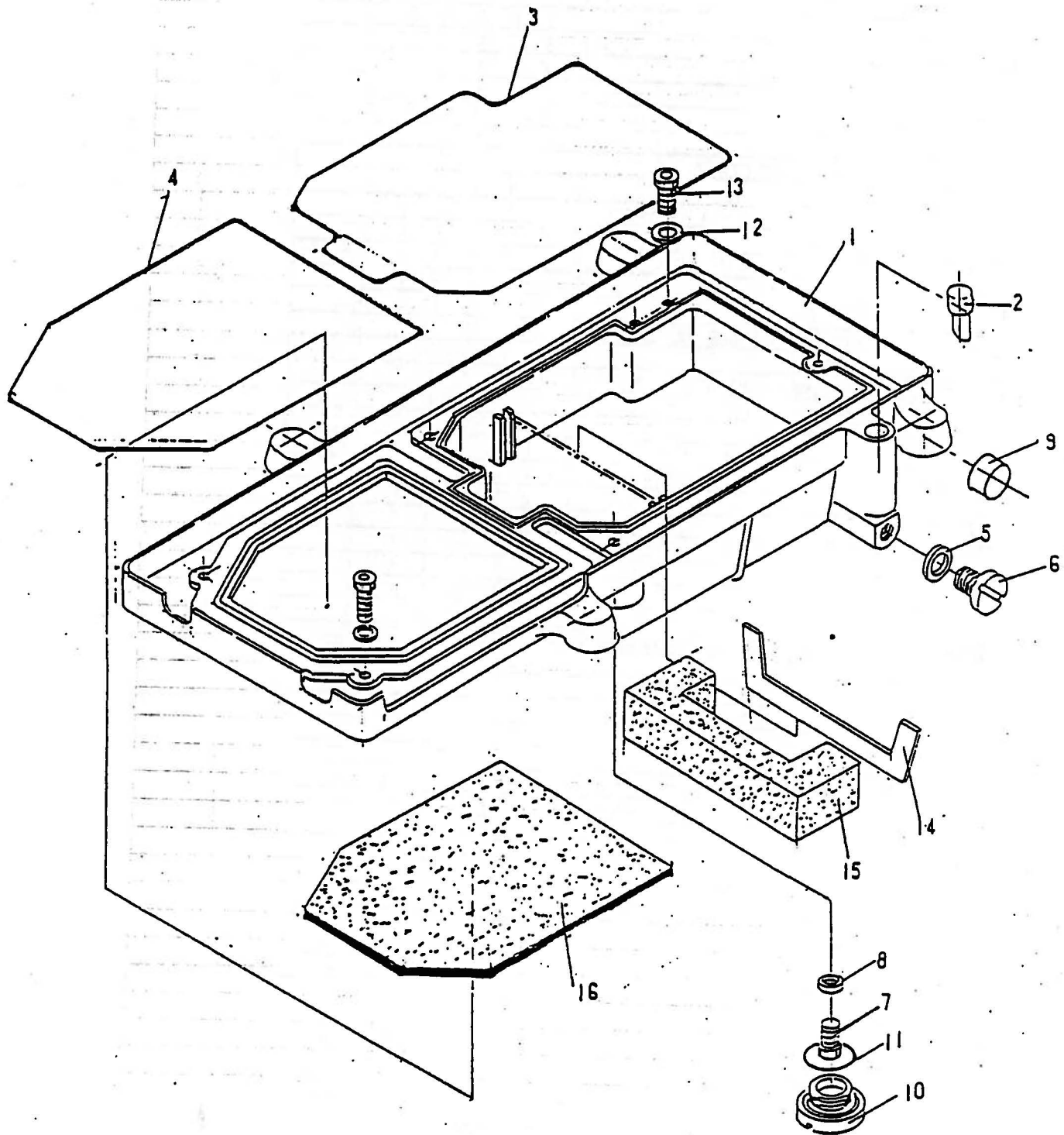
Contents

1. Housing components.....	1
2. Oil tank and lubrication system.....	3
3. Thread eyelet components.....	5
4. Thread tension.....	7
5. Bushings.....	9
6. Oil lubrication apparatus.....	11
7. Upper shaft.....	13
8. Needle lever crank.....	15
9. Main shaft and feed rocker.....	17
10. Looper.....	18
11. Foot lifter mechanism.....	21
12. Gauge parts.....	23
13. Thread stand.....	25
14. Table stand.....	26

1. Housing components (カバー関係)

NO	PART NO	PART NAME	A	DE	MC
1	22-881	ARM BED	1	1	1
	22-862	(FMK)			
2	21-721	UPPER CLOTH PLATE	1	1	1
3	21-441	SPPER CLOTH PLATE	1	1	1
4	21-521	SLIDE PLATE	1	1	1
5	84-574	SCREW	2	2	2
6	84-862	"	2	2	2
7	84-564	"	3	3	3
8	21-352	SIDE COVER	1	1	1
9	25-108	HINGE	2	2	2
10	71-308	PIN	2	2	2
11	79-233	SPRING	1	1	1
12	21-108	RULER HOLDER A	1	1	1
13	21-192	RULER PLATE A	1	1	1
	21-191	C (FTYPE)	1	1	1
14	84-566	SCREW	4	4	4
15	84-572	"	2	2	2
16	84-462	"	1	1	1
17	71-401	LATCH PIN	1	1	1
18	21-212	CRANK CHEMBER OIL COVER	1	1	1
19	84-566	SCREW	6	6	6
20	23-802	CRANK CHEMBER OIL GASKET	1	1	1
21	59-233	OIL POT LID	1	1	1
22	79-502	SPRING	1	1	1
23	21-802	HEAD COVER	1	1	1
24	23-801	GASKET	1	1	1
25	84-566	SCREW	4	4	4
26	84-571	"	2	2	2
27	21-122	OIL RESERVOIR FRONT COVEV	1	1	1
28	23-232	GASKET	1	1	1
29	84-564	SCREW	10	10	10
30	21-519	OIL RESEVOIR TOP COVER	1	1	1
31	23-230	GASKET	1	1	1
32	84-561	SCREW	7	7	7
33	14-031	NEEDLE PLATE SUPPORT	1	1	1
34	79-501	RULER HOLDER SPRING	1	1	1
35	71-251	KNOCK PIN	2	2	2
36	71-301	PIN	1	1	1
37	84-751	SCREW	2	2	2
38	84-561	SCREW	2	2	2
39	21-106	OIL COVER	1	1	1
40	26-712	WASHER	1	1	1
41	21-402	PULLEY COVER	1	1	1
42	21-703	NEEDLE BAR EYELET SAFETY BAR	1	1	1
43	84-521	SCRW	1	1	1
44	21-712	NEEDLE LEVER EYELET SAFETY PLATE	1	1	1
45	84-571	SCREW	1	1	1
46	75-455	WASHER	2	2	2
47	25-801	CUSHIOM	3	3	3
48	84-564	SCREW	2	2	2
49	85-181	"	2	2	2
50	84-312	"	1	1	1

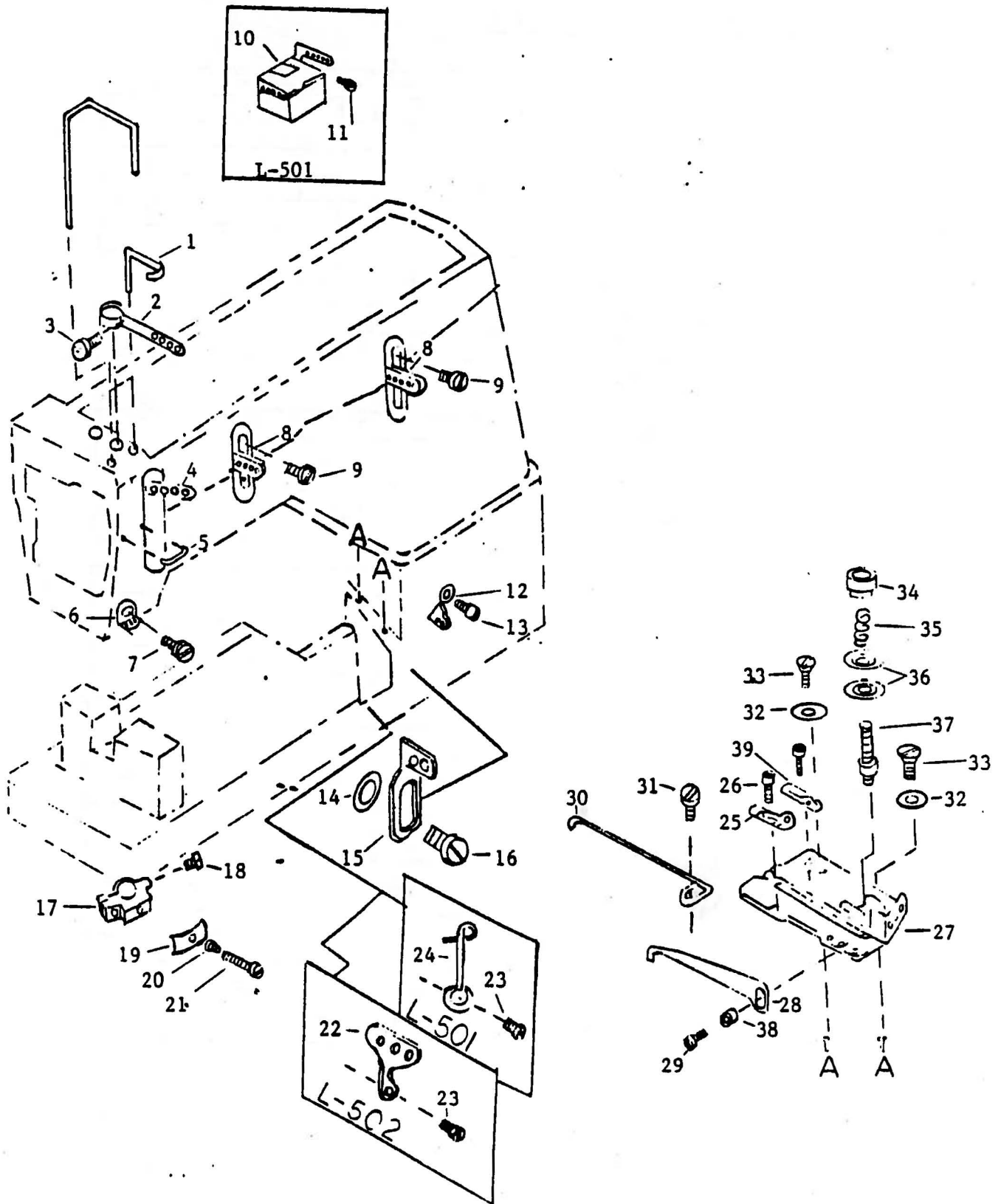
2. Oil Reservoir (オイル:タンク関係)



2. Oil Reservoir (オイルタンク関係)

REF. NO.	PART NO.	PART NAME	QTY			
			U	DE	F	L.M.K
1	31-209	OIL RESER VOIR	1	1	1	1
2	39-216	OIL GAUGE	1	1	1	1
3	23-408	OIL RESERVOIR GASKET (REAR)	1	1	1	1
4	23-407	" " (FRONT)	1	1	1	1
5	23-304	GASKET	1	1	1	1
6	87-311	SCREW	1	1	1	1
7	85-627	"	4	4	4	4
8	23-911	GASKET	4	4	4	4
9	23-122	TABLE RUBBER	4	4	4	4
10	87-756	SCREW	4	4	4	4
11	23-195	O-RING	4	4	4	4
12	75-452	WASHER	2	2	2	2
13	85-628	SCREW	2	2	2	2
14	31-228	OIL CLEANER SUPPORT	1	1	1	1
15	31-227	OIL CLEANER B	1	1	1	1
16	31-226	OIL CLEANER A	1	1	1	1

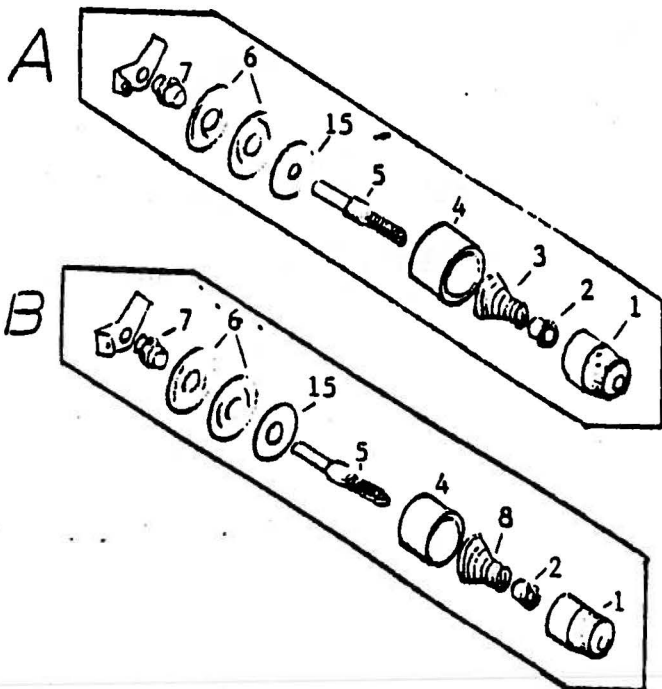
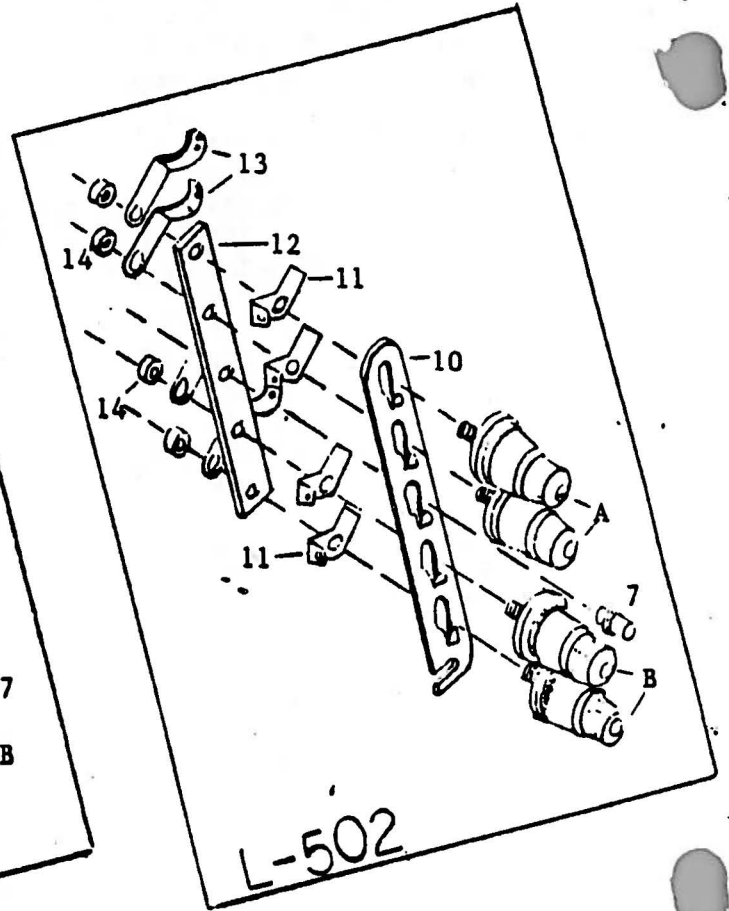
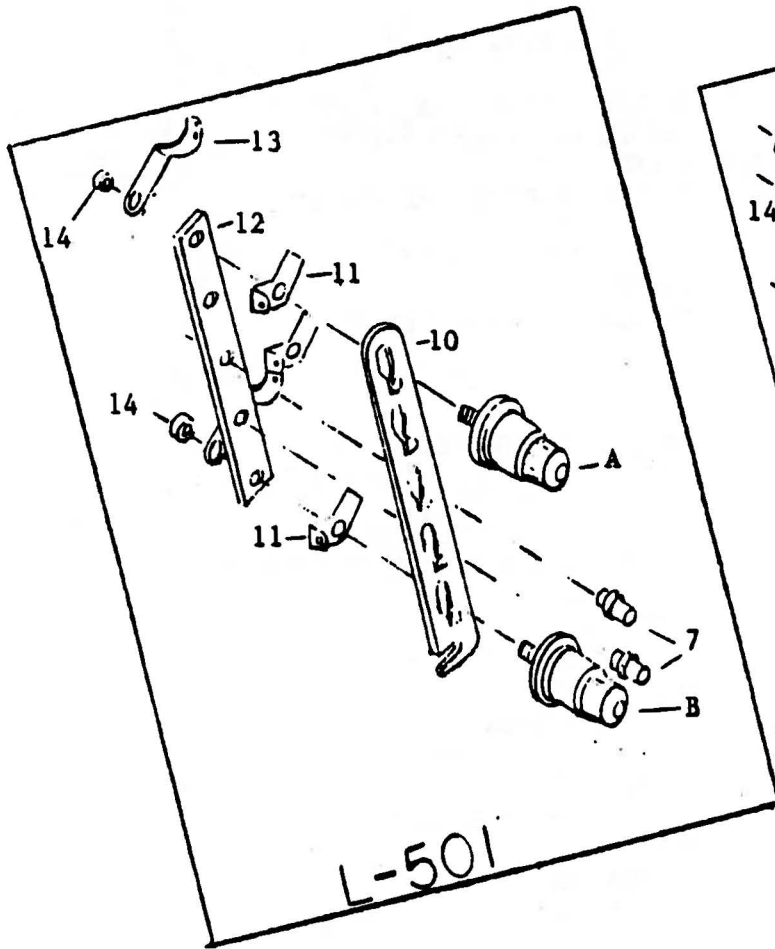
3. THREAD EYELET



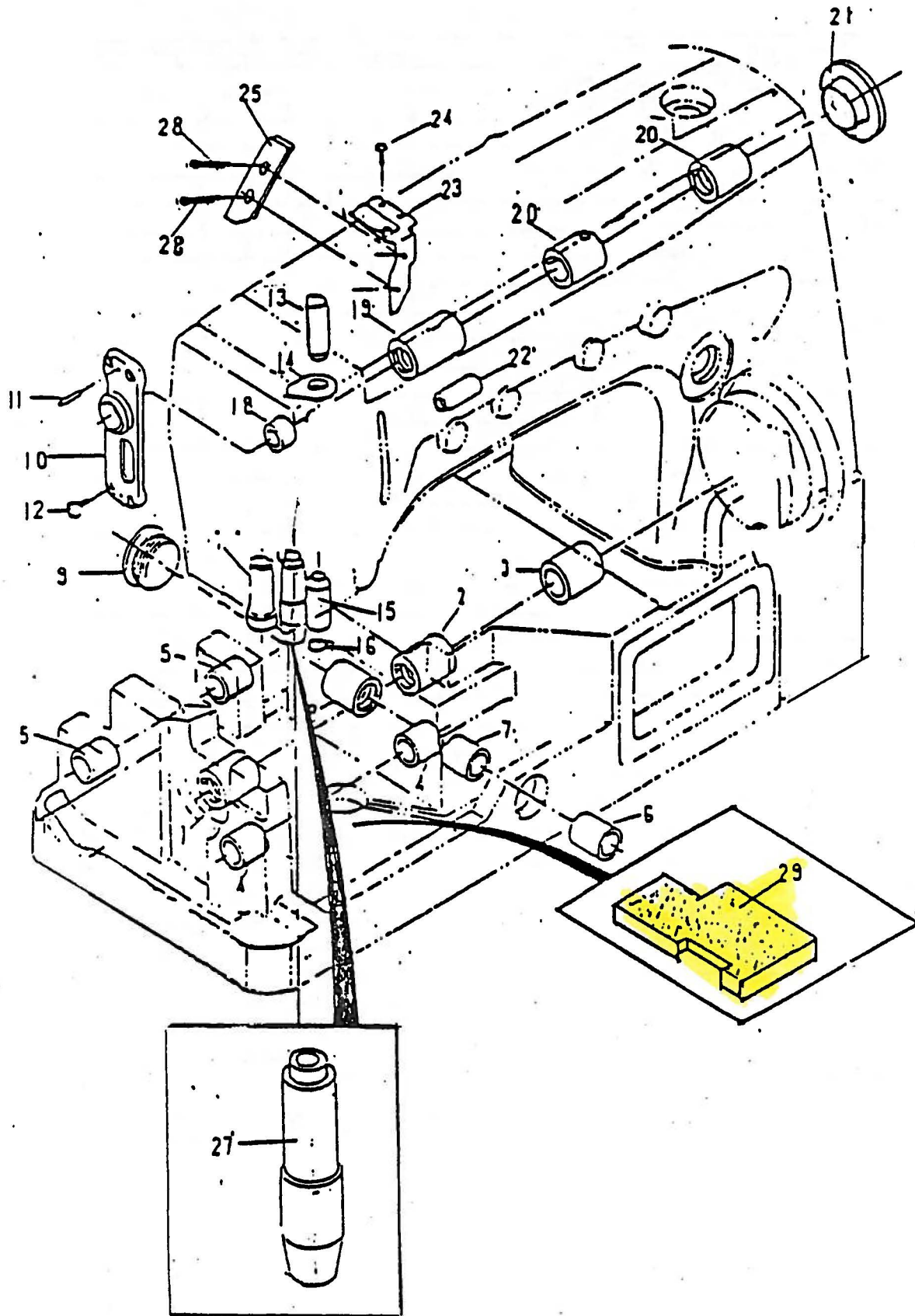
3

REF. NO.	PART NUMBER	PART NAME
1	45-251	NEEDLE THREAD TAKE UP WIRE
2	45-181	NEEDLE BAR THREAD EYELET
3	84-379	SCREW
4	45-091	NEEDLE LEVER THREAD EYELET
5	45-246	GUIDE PIN
6	45-191	NEEDLE THREAD GUIDE
7	84-465	SCREW
8	45-081	NEEDLE TJREAD EYELET
9	84-361	SCREW
10	20-531	SELOCON TANK SET
11	84-361	SCREW
12	41-416	LOOPER THREAD EYELET (L-501)
12	47-101	" " " (L-502)
13	84-374	SCREW
14	75-394	WASHER
15	45-100	LOOPER THREAD EYELET (L-501)
15	45-101	" " " (L-502)
16	84-361	SCREW
17	41-304	TENSION NIPPER BRACKET
18	84-112	SCREW
19	45-142	TENSION NIPPER
20	41-721	" " SPRING
21	84-171	SCREW
22	47-102	LOOPER THREAD EYELET
23	84-413	SCREW
24	47-203	LOOPER THREAD EYELET
25	47-151	LOOPER THREAD GUIDE EYELET RIGHT
26	84-163	SCREW
27	43-342	CAST OFF SUPPORT BRACKET
28	43-344	LOOPER THREAD RETAINER
29	84-574	SCREW
30	43-338	LOOPER THREAD CAST-OFF PIN
31	84-163	SCREW
32	75-455	WASHER
33	84-571	SCREW
34	41-154	NUT
35	41-153	SPRING
36	41-152	DISC
37	41-151	LOOPER THREAD GUIDE TENSION STUD
38	75-445	WASHER
39	47-151	LOOPER THREAD GUIDE EYELET LEFT

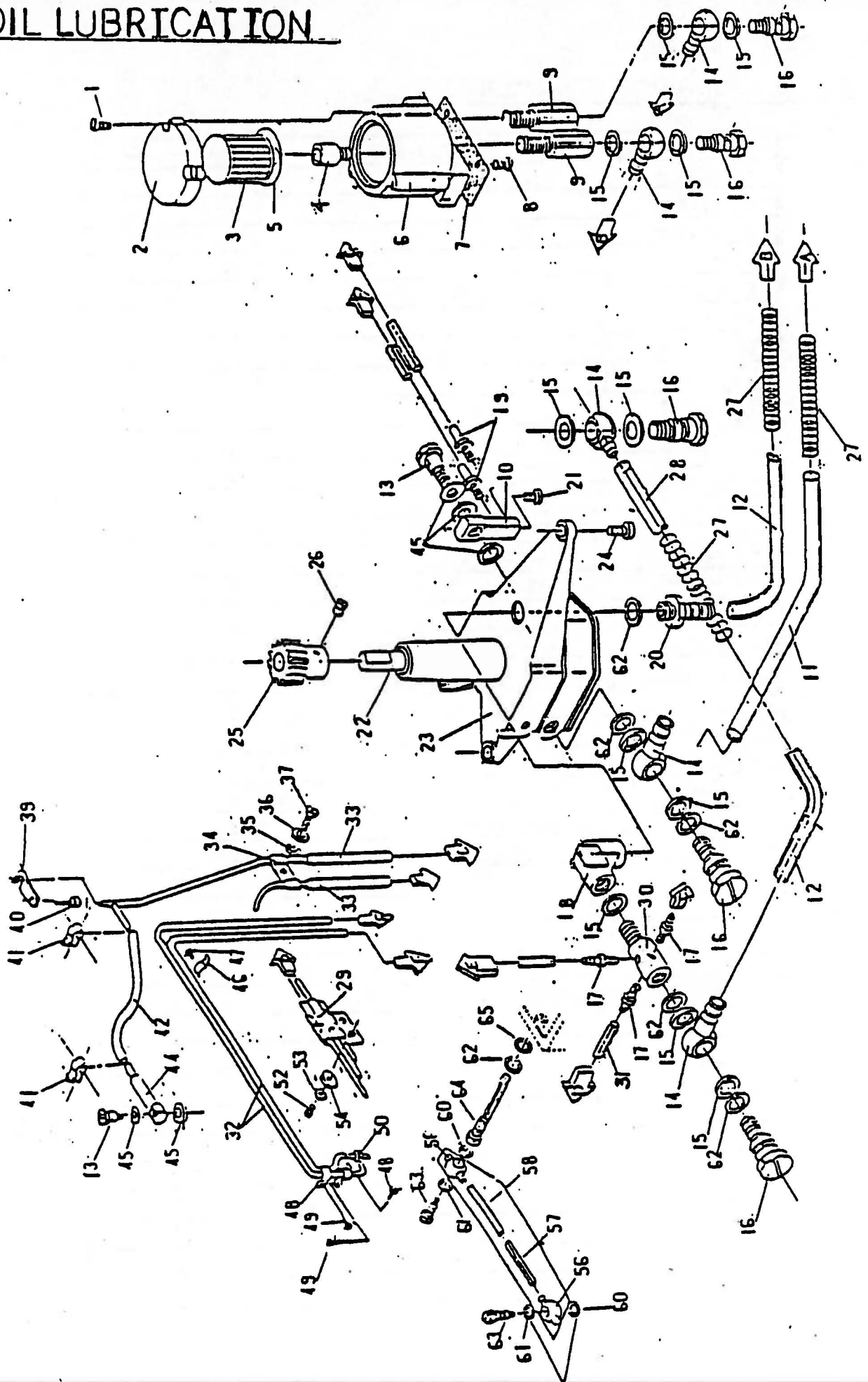
4 THREAD TENSION



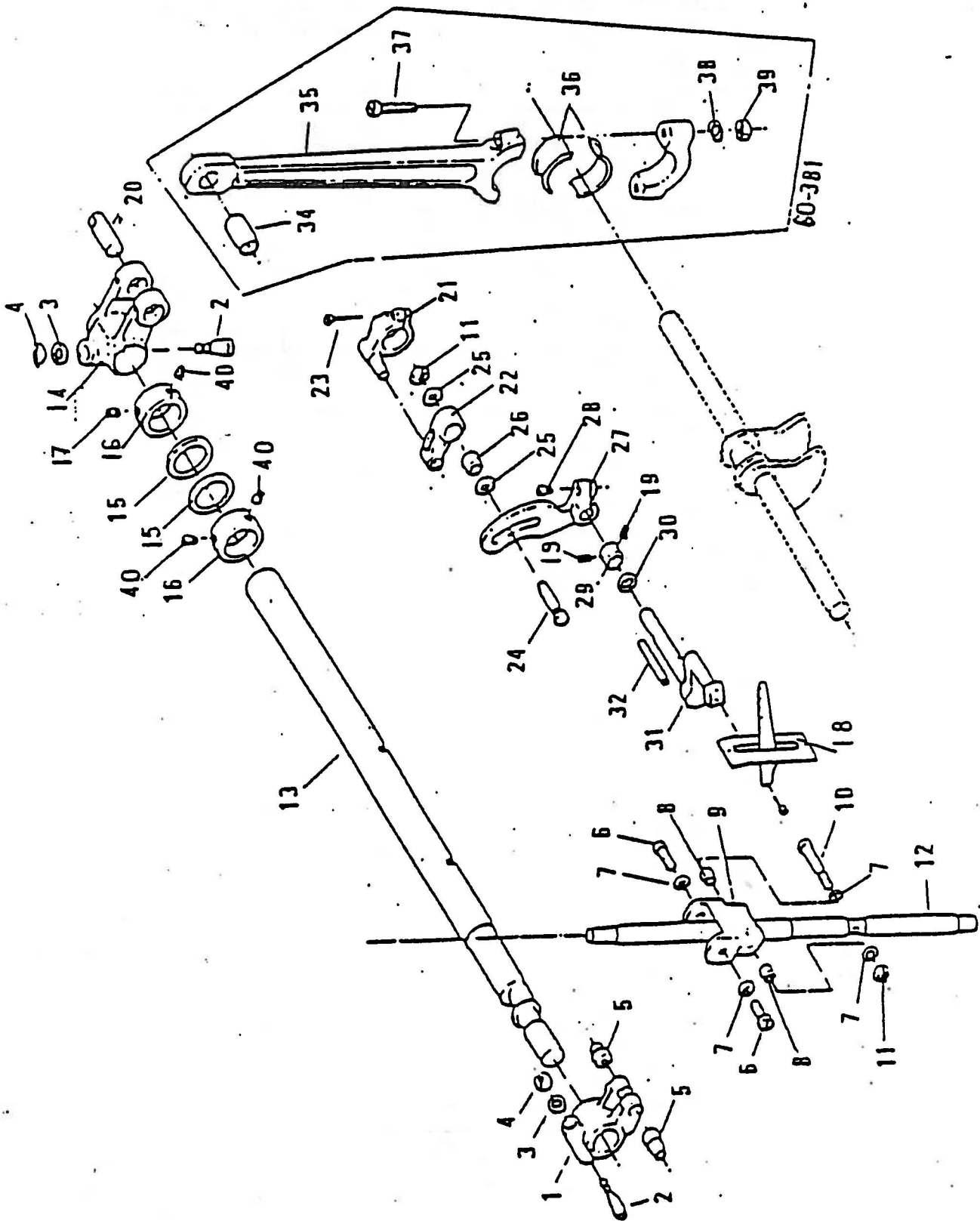
5 BUSHINGS



6 OIL LUBRICATION



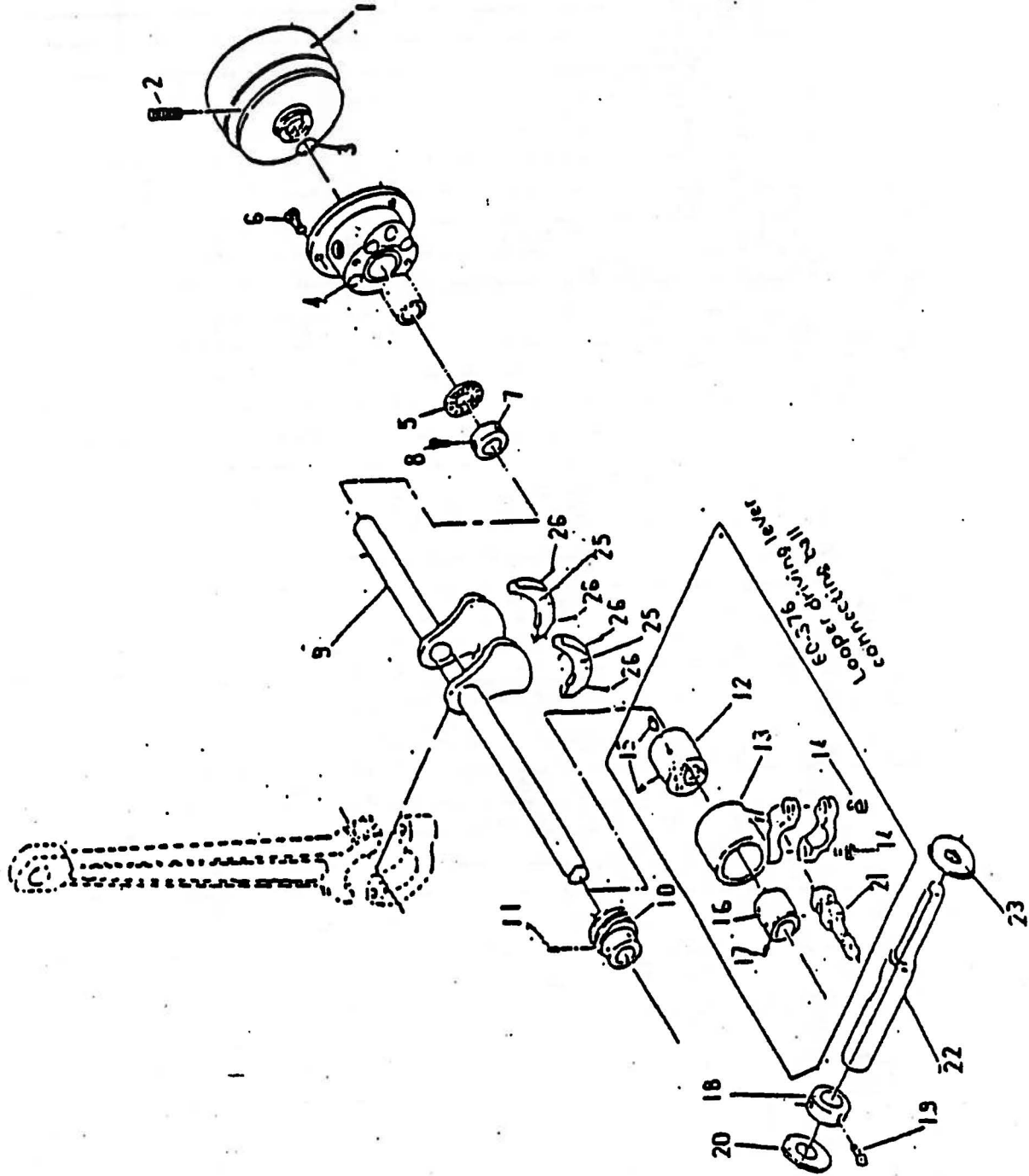
7. UPPER SHAFT (上シャフト機構)



7. UPPER SHAFT (上シャフト機構)

PT. NO.	PART NO.	PART NAME	QTY	UNIT	REMARKS
1	67-801	CRANK ASSEMBLY	1		
2	71-455	THREADED PIN	2		
3	75-381	WASHER	2		
4	86-501	NUT	2		
5	71-501	UPPER PIN	2		
6	84-362	SCREW	2		
7	75-522	WASHER	4		
8	75-249	LEVER BUSH	2		
9	66-802	NEEDLE BAR JOINT	1		
10	84-617	SCREW	1		
11	86-311	NUT	2		
12	71-801	NEEDLE BAR	1		
13	71-693	UPPER SHAFT C.	1		
14	67-802	CRANK LEVER	1		
15	75-306	WASHER	2		
16	75-106	COLLAR	2		
17	85-213	SCREW	1		
18	24-102	PLATE	1		
19	84-511	SCREW	2		
20	71-506	PIN	1		
21	67-803	ARM WITH SCREWS	1		
22	66-801	THREAD TENSION REGULATING LINK	1		
23	84-814	SCREW	1		
24	84-599	SCREW	1		
25	75-552	WASHER	2		
26	75-284	ROLLER	1		
27	67-805	THREAD TENSION REGULATING LEVER	1		
28	84-814	SCREW	1		
29	75-152	COLLAR	1		
30	75-366	WASHER	1		
31	69-801	ARM CRANK	1		
32	23-398	FELT $\phi 4 \times 40^L$	1		
34	81-802	BUSH	1		
35	63-381	CRANK ROD	1		
36	81-801	BUSH	1		
37	84-621	SCREW	2		
38	75-388	WASHER	2		
39	86-315	NUT	2		
40	85-113	SCREW	3		
41	71-881	CRANK SHAFT	1		
42	71-883	CRANK SHAFT	1		

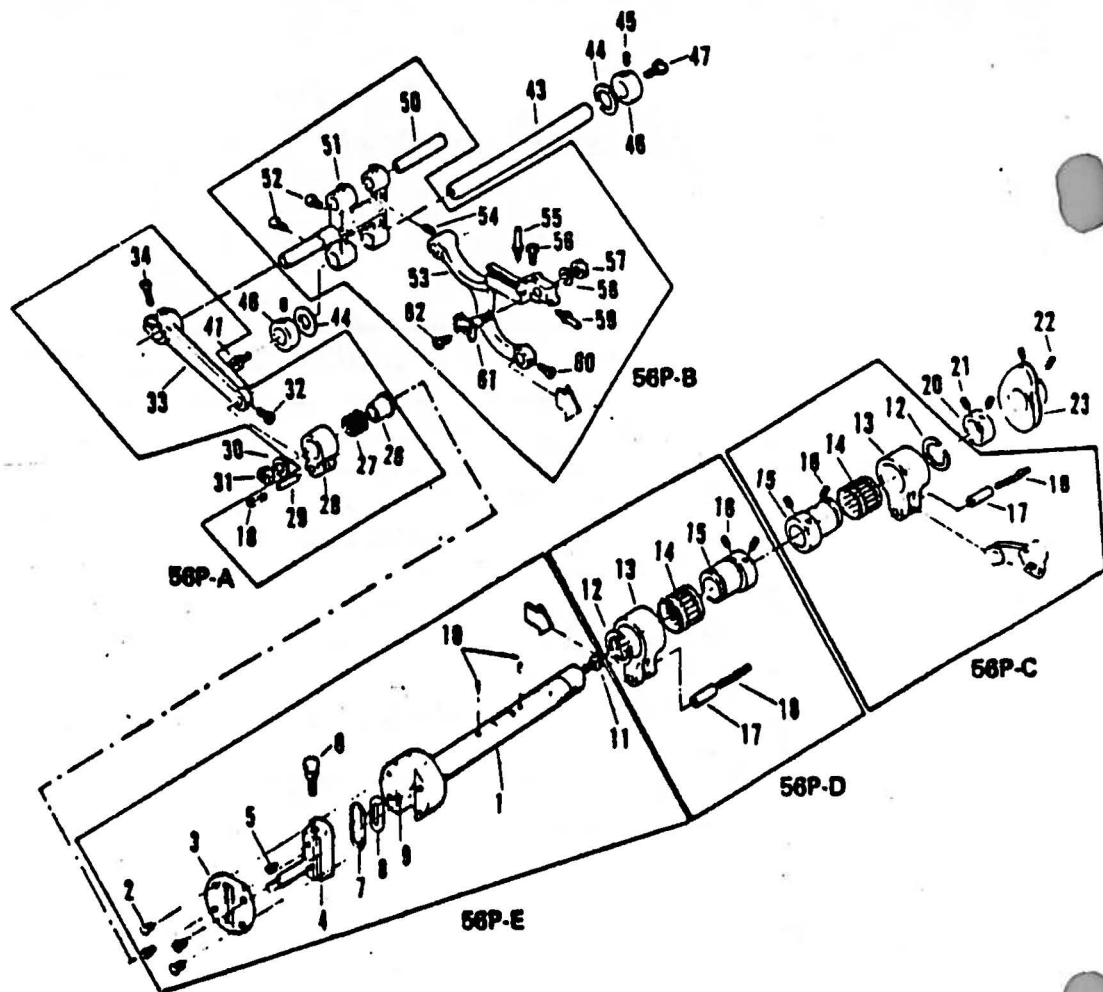
8. Needle lever crank (㊄・クランク機構)



8. Needle lever crank (ミ・クランク機構)

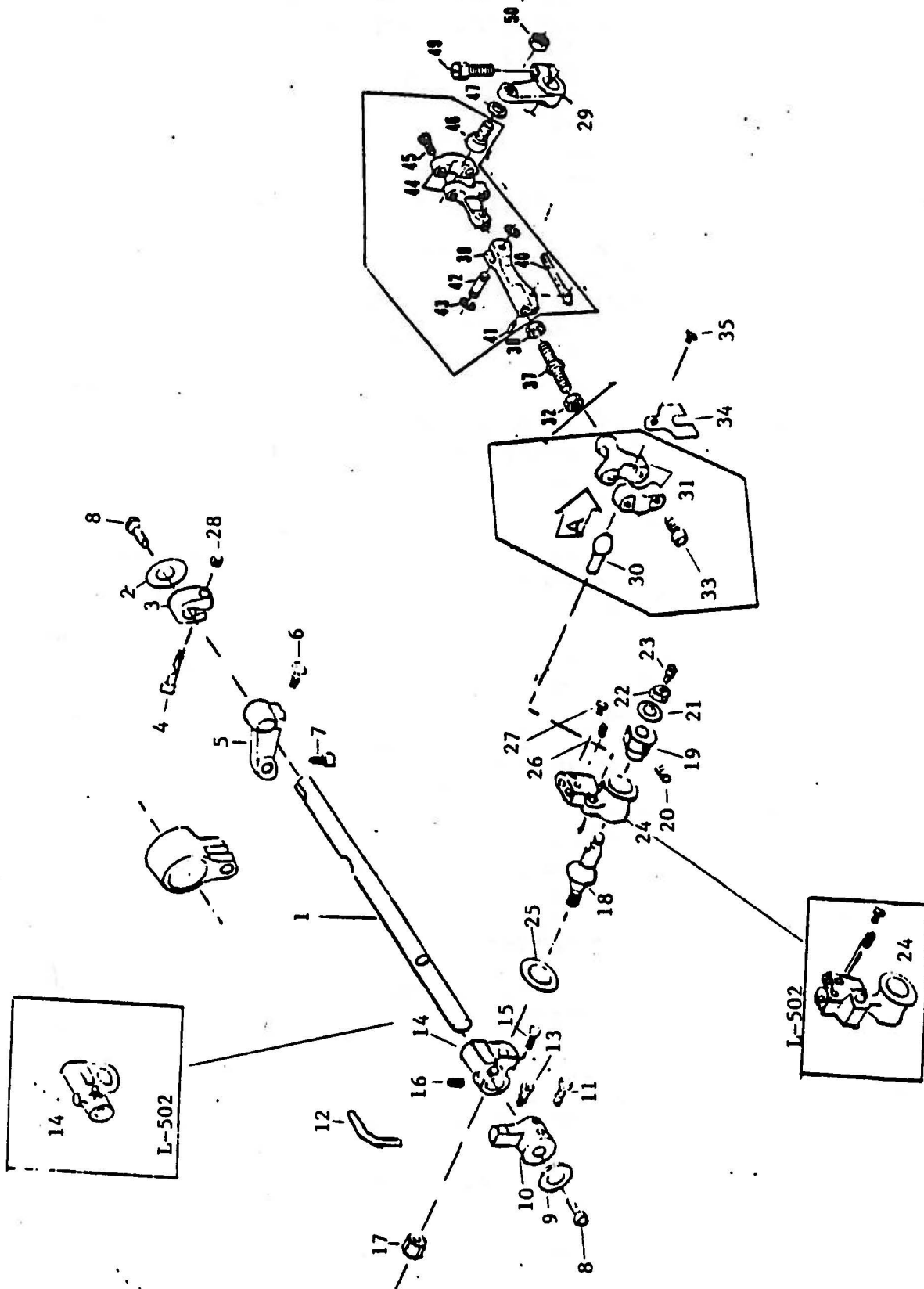
P.F. NO.	PART NO.	PART NAME	QTY	
1	69-216	Pulley	1	
2	85-114	Screw	2	2
3	23-197	O-ring	1	1
4	69-306	Flange	1	1
5	92-231	Thrust bearing	1	1
6	84-566	Screw	3	3
7	75-112	Thrust Collar	1	1
8	84-563	Screw	2	2
9	71-881	Crankshaft	1	
10	31-410	Worm Gear	1	1
11	84-718	Screw	2	2
12	61-514	Looper driving eccentric	1	1
13	63-515	Looper driving lever ball joint	1	1
14	84-567	Screw	2	2
15	85-113	Screw	2	2
16	75-101	Collar	1	1
17	85-113	Screw	2	2
18	75-107	Collar	1	1
19	85-212	Screw	1	1
20	75-322	Washer	1	1
21	61-713	Looper driving eccentric	1	1
22	71-613	Looper driving shaft B	1	1
23	75-332	Washer	1	1
24	71-883	Crankshaft EMK		1
25	69-147	Balance	2	2
26	84-579	Screw	4	4
27	69-210	Pulley (EMK)		1

9 FEED ROCKER



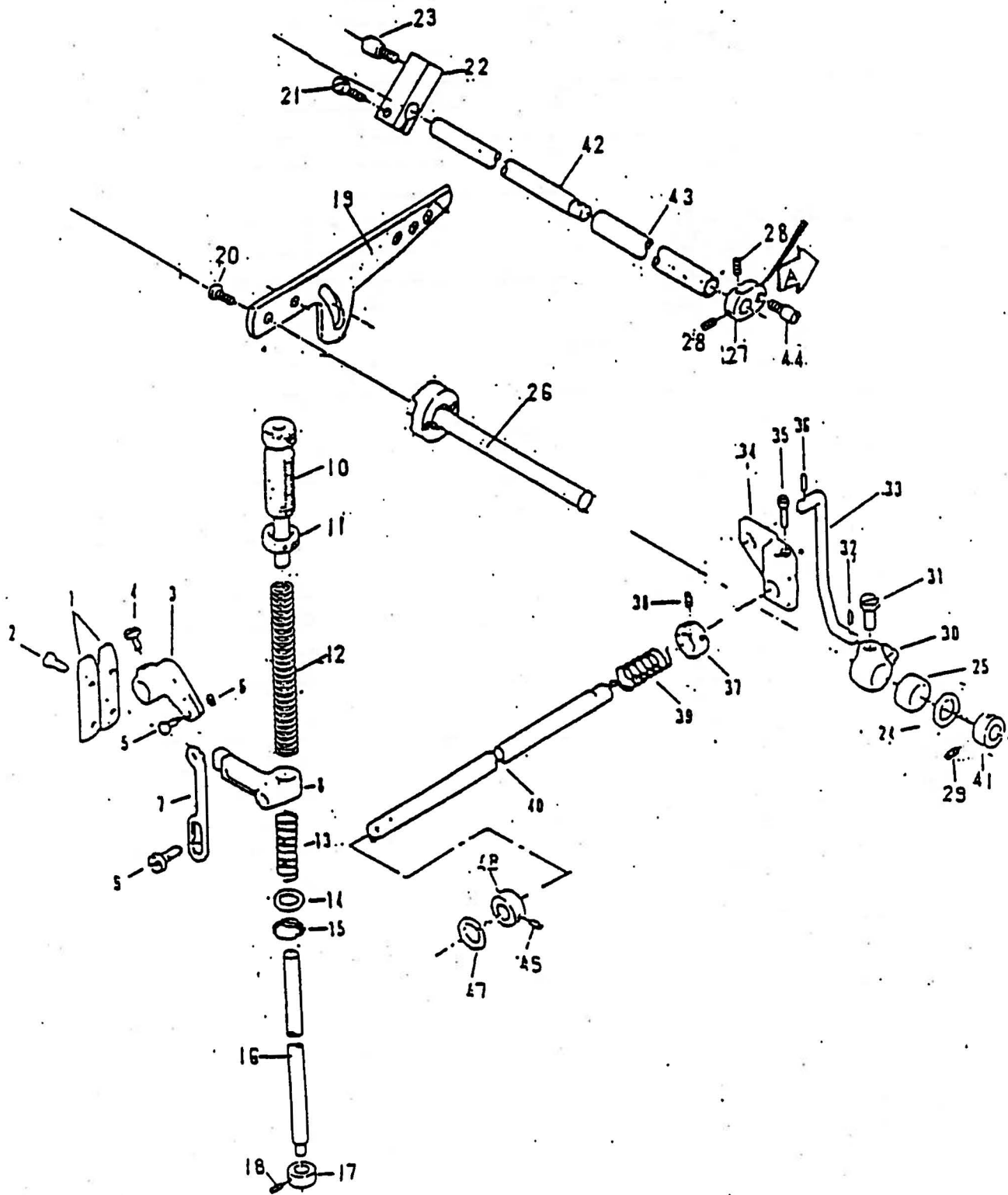
Ref. No.	Part No.	Part Name	Q'ty	Ref. No.	Part No.	Part Name	Q'ty
1	71-753	Main shaft 5C	1	34	84-612	Screw	2
2	84-661	Screw	4	35	63-353	Feed rocker link	1
3	51-031	Head plate	1	36			
4	61-013	Feed crank adjusting post	1	37			
5	85-624	Screw	1	38			
6	84-383	Screw	1	39	84-386	Screw	1
7	23-197	O-ring	1	40			
8	51-036	Oil guide	1	41	84-676	Screw	1
9	23-393	Felt	1	42			
10	23-391	Felt	3	43	71-842	Feed rocker shaft small	1
11	84-578	Screw	1	44	75-372	Washer	2
12	93-406	Snap ring	2	45	84-761	Screw	2
13	63-232	Eccentric link	2	46	75-132	Collar	2
14	91-406	Bearing	2	47	84-674	Screw	1
*15	61-312	Eccentric 0.8	2	48			
16	84-715	Screw	4	49			
17	71-431	Connecting link pin	2	50	71-531	Feed rocker arm shaft	1
18	23-341	Felt	2	51	55-041	Single feed rocker arm	1
19				52	84-571	Screw	2
*20	75-114	Collar	1	*53	55-155	Feed rocker B for puller	1
*21	84-511	Screw	2	54	84-712	Screw	1
22	84-711	Screw	2	55	84-177	Screw	1
23	46-133	Looper thread take-up disc C	1	56	84-463	Screw	1
24				57	86-501	Nut	1
25				58	75-381	Washer	1
26	75-243	Feed crank link roller	1	*59	84-176	Screw	1
27	91-271	Bearing	1	60	84-386	Screw	1
28	63-351	Feed rocker link A	1	*61	55-051	Feed dog holder	1
29	71-432	Feed rocker link pin	1	62	84-588	Screw	1
30	75-453	Washer	1	63			
31	86-412	Nut	1	64			
32	84-386	Screw	1	65			
33	67-311	Feed rocker arm	1				
56P-A	60-711	Feed rocker ass'y					
56P-B	50-571	Feed rocker arm ass'y					
56P-C	60-780	Looper avoid eccentric link ass'y					
56P-D	60-080	Feed eccentric link ass'y					
56P-E	70-153	Main shaft 5C ass'y					
57P-F	60-712	Feed rocker arm ass'y (PMD Type)					

10 LOOPER



REF. NO.	PART NUMBER	PART NAME
1	71-561	LOOPER HOLDER SHAFT
2	75-371	WASHER
3	75 139	LOOPER HOLDER SHAFT COLLAR
4	71-454	SCREW
5	67-132	LOOPER AVOID LEVER
6	84-612	SCREW
7	84-366	SCREW
8	84-761	SCREW
9	75-371	WASHER
10	18-722	NEEDLE BAR GUIDE BRACKET
11	84-616	SCREW
12	18-725	NEEDLE BAR GUIDE
13	84-162	SCREW
14	19-303	LOOPER ROCKER (L-501)
14	19-305	LOOPER ROCKER (L-502)
15	84-767	SCREW
16	84-766	SCREW
17	86-502	NUT
18	71-901	LOOPER ROCKER TAPERED PIN
19	81-401	TAPERED PIN BUSHING
20	84-521	SCREW
21	75-452	WASHER
22	86-501	NUT
23	84-361	SCREW
24		LOOPER HOLDER
24		LOOPER HOLDER
25	75-802	WASHER
26	84-161	SCREW
27	84-616	SCREW
28	86-314	NUT
29		LOOPER DRIVING LEVER
30	61-513	CONNECTING BALL
31	63-812	CONNECTING ROD
32	86-412	NUT (LEFT)
33	84-572	SCREW
34	35-199	OIL GUIDE
35	84-164	SCREW
36		
37	65-401	CONNECTING BAR
38	86-411	NUT
39	65-902	LOOPER DRIVING CONNECTING LINK
40	79-601	PLATE SPRING
41	71-201	PIN
42	71-322	SHAFT
43	93-201	SNAP RING
44	63-821	LOOPER DRIVING CONNECTING BALL JOINT
45	84-572	SCREW
46	61-823	LOOPER DRIVING CONNECTING ROD
47	75-401	WASHER
48		
49	85-211	SCREW
50	86-411	NUT

Foot lifter components (押え上げ機構)

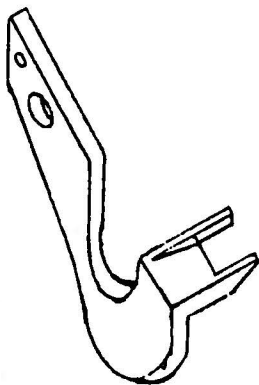


1, Foot lifter components (按え上げ機構)

NO.	PART NO.	PART NAME	QTY	REMARK
1	77-120	PRESSER BAR CONNECTING GUIDE D	2	2
2	84-567	SCREW	4	4
3	77-802	FOOT LIFTER CRANK	1	1
4	84-816	SCREW	1	1
5	71-326	PIN	1	1
6	93-200	E-RING	1	1
7	77-801	FOOT LIFTER CONNECTING PLATE	1	1
8	77-803	PRESSER BAR GUIDE	1	1
9	84-817	SCREW	1	1
10	85-801	PRESSER BAR SCREW C	1	1
11	86-851	NUT	1	1
12	79-123	PRESSER BAR SPRING	1	1
13	79-140	OIL SEAL SPRING	1	1
14	75-436	WASHER	1	1
15	23-311	OIL SEAL	1	1
16	71-543	PRESSER BAR C	1	1
17	75-154	COLLAR	1	1
18	84-511	SCREW	1	1
19	77-811	CONTROL LEVER	1	1
20	84-566	SCREW	1	1
21	84-812	SCREW	1	1
22	77-103	ADJUSTING POST SUPPORTER	1	1
23	84-561	SCREW	1	1
24	75-327	WASHER	2	2
25	84-802	OIL SEAL	2	2
26	71-124	FOOT LIFTER CRANK SHAFT	1	1
27	77-101	LIFTER LEVER CONNECTING	1	1
28	84-512	SCREW	2	2
29	84-563	"	1	1
30	77-806	LEVER A	1	1
31	85-816	SCREW	1	1
32	93-611	PIN	1	1
33	77-808	CONNECTING ROD	1	1
34	77-807	LEVER B	1	1
35	84-718	SCREW	2	2
36	93-611	PIN	1	1
37	77-809	SPRING SET COLLAR	1	1
38	85-113	SCREW	2	2
39	79-225	SPRING	1	1
40	71-555	FOOT LIFTER INTERLOCKING SHAFT	1	1
41	75-130	COLLAR	1	1
42	77-111	FOOT LIFTER CRANK SHAFT R	1	1
43	77-121	CRANK SHAFT PIPE	1	1
44	84-562	SCREW	1	1
45	84-575	"	1	1
46	77-102	LIFTER LEVER CONNECTING (EMK)	1	1
47	75-451	WASHER	1	1
48	75-154	COLLAR	1	1
49	84-511	SCREW	1	1

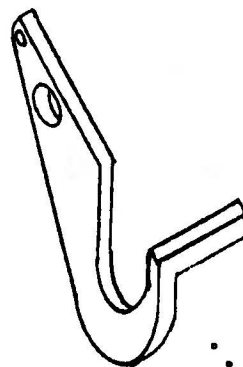
NEEDLE GUARD

L-502



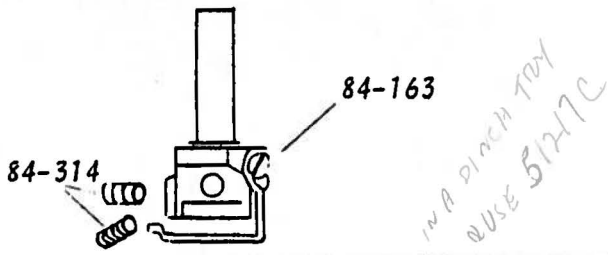
18-527

L-501



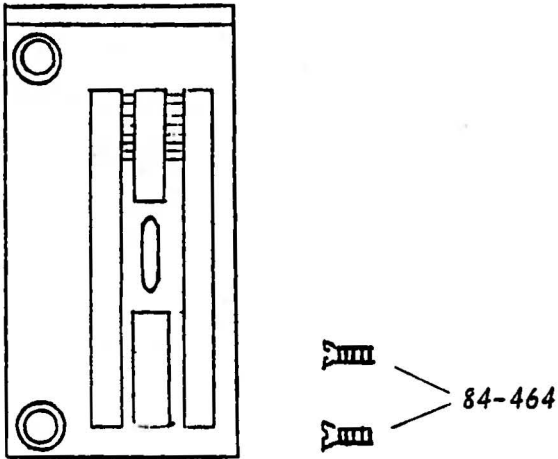
18-501

GAUGE PARTS



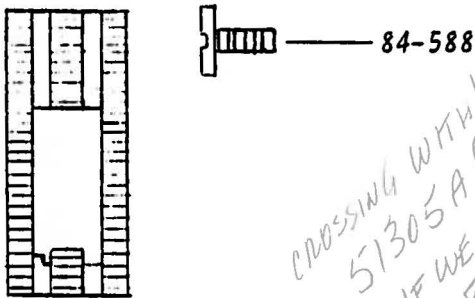
NEEDLE CLAMP

MODEL	PART NUMBER
L-501M	12-801
L-501MF	12-806



NEEDLE PLATE

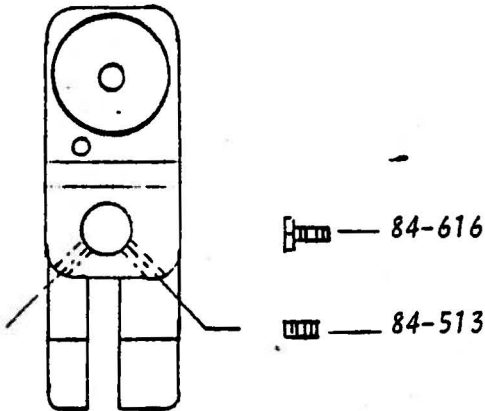
MODEL	PART NUMBER
L-501M	14-501
L-501MF	14-506



CROSSING WITH UN. SPEC. 51305A (12 TEETH PER INCH) FOR IF WE GET REQUEST FINDER TEETH SWITCH TO 9205E (16 PER INCH)

FEED DOG

MODEL	PART NUMBER
L-501M	15-501
L-501MF	15-506

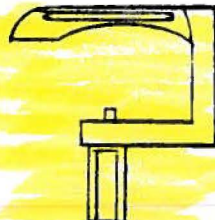


PRESSER FOOT

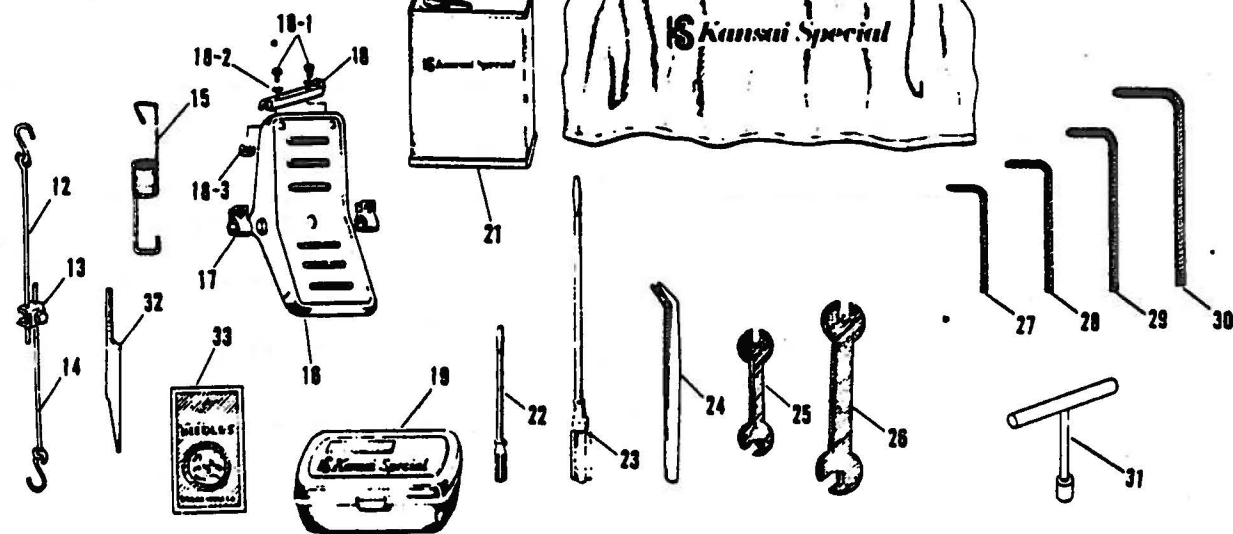
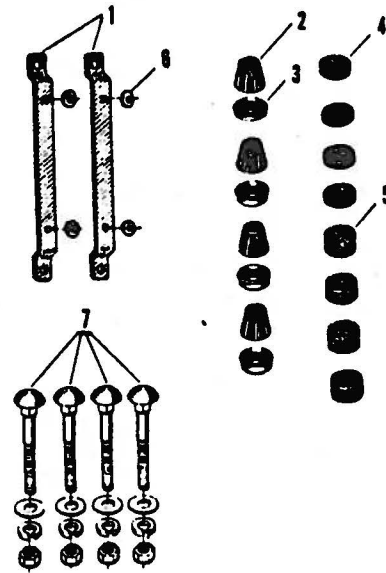
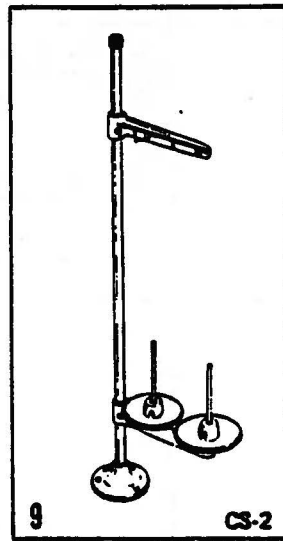
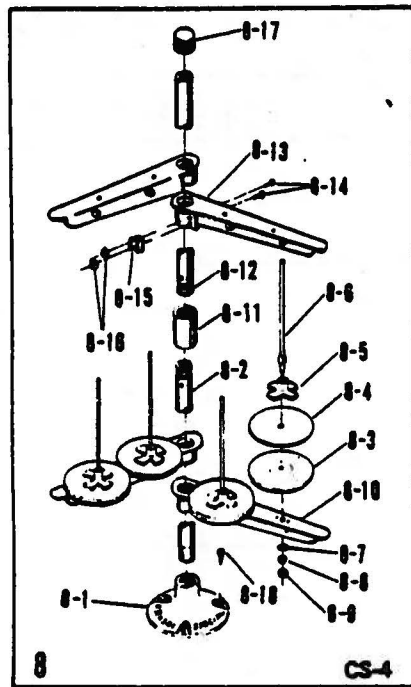
MODEL	PART NUMBER
L-501M	17-501
L-510MF	17-506

LOOPER

19-504

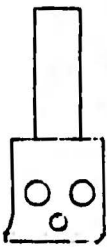


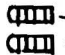
11. Thread stands, Accessories (糸立て・アクセサリー)



Ref. No.	Part No.	Part Name	Q'ty	Ref. No.	Part No.	Part Name	Q'ty
1	25-141	Machine mounting bracket	2	9	42-002	Thread stand (CS-2)	1
2	31-161	Cam cushion	4	12	77-007	Tie-rod (upper)	1 set
3	39-104	Disc	4	13	77-006	Joint (with screw)	1 set
4	23-121	Rubber A	4	14	77-005	Tie-rod (lower)	1 set
5	23-122	Rubber B	4	15	77-003	Spring for pedal	1
6	23-324	Felt	4	16	77-001	Pedal for foot lifter	1
7	80-751	Bolt	4 sets	17	77-002	Collar	2
8	42-004	Thread stand (CS-4)	1 set	18	77-004	Lever	1
8-1		Base	1	18-1		Screw	2
8-2		Bar (low)	1	18-2		Washer	2
8-3		Spool tray	4	18-3		Nut	2
8-4		Thread cushion	4	19	28-001	Accessory box	1
8-5		Spool retaining fin	4	20	28-021	Machine cover	1
8-6		Spool pin	4	21	28-611	Oil (Esso Tellesso 33)	1
8-7		Washer	4	22	28-451	Small driver	1
8-8		Nut spring washer	4	23	25-452	Driver	1
8-9		Nut	4	24	28-011	Tweezer	1
8-10		Spool pin bracket	1	25	28-421	Spanner	1
8-11		Collar	1	26	28-422	Spanner	1
8-12		Bar (upper)	1	27	28-311	Wrench	1
8-13		Thread guide bracket	1	28	28-312	Wrench	1
8-14		Screw	4	29	28-313	Wrench	1
8-15		Angle washer	2	30	28-314	Wrench	1
8-16		Nut	4	31	28-464	Wrench T-type (9.5m/m)	1
8-17		Cup	1	32	14-332	Center nail	1
8-18	42-122	Screw	3	33	13-	Needle (UOx163, UY163, SY7185)	1

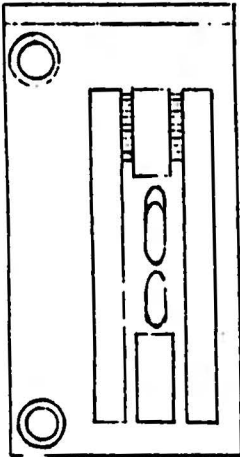
L - 502TMF (0 , 1/64)




 84 - 311

NEEDLE HOLDER

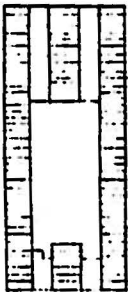
GAUGE	mm	PART NUMBER
0	0	12 - 598
1/64	0.397	



 84 - 464

THROAT PLATE

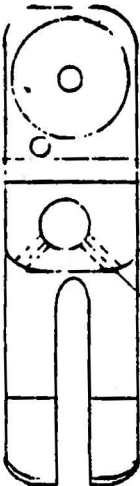
GAUGE	mm	PART NUMBER
0	0	14 - 598
1/64	0.397	



 84 - 588

FEED DOG

GAUGE	mm	PART NUMBER
0	0	15 - 598
1/64	0.397	

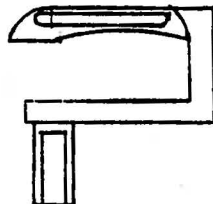
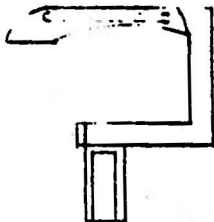


 84-616

 84-513

PRESSER FOOT

GAUGE	mm	PART NUMBER
0	0	17 - 598
1/64	0.397	



LOOPERS

GAUGE	0	1/64
FRONT	19 - 598	
BACK	19 - 598	

MORIMOTO MFG. CO., LTD.

Megalo Coop Fukushima Bldg. (2F),
10-19, Fukushima 2-Chome, Fukushima-ku,
Osaka 553, Japan
Tel: (06) 451-9127 Telex: 05242193 KSPCAL-J

MAIN FACTORY

180, Suna Shijonawate City, Osaka 575, Japan
Tel: (0720) 78-1177

TOKYO OFFICE

24-4, 2-chome, Taito, Taito-ku, Tokyo 110, Japan
Tel: (03) 831-7791 Telex: 2655918 KSTKY

MORIMOTO MFG. (S) CO. PTE. LTD.

18A-23A Block 12, 50 Kallang Bahru,
Kallang Basin Industrial Estate Singapore 12
Tel: 2938856, 2938880 Telex: RS25138 A/B: MMSPL

MORIMOTO MFG. (H.K.) LTD.

C 2 22nd Floor, Pearl City Mansion, Paterson Street, Hong Kong
Tel: 5-771631 Telex: 83919 (MORHK HX)

KANSAI SPECIAL USA CORPORATION

51 Romeo St., Moonachie N.J. 07074 U.S.A.
Tel: 201-460-0350 Telex: 133413 KANSAIUSA MOON